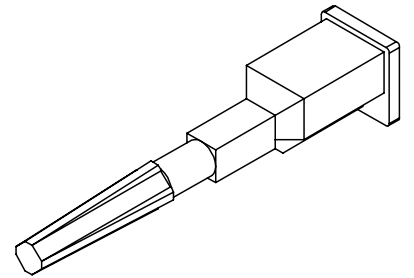


PART NO.	ENG. NO.	MATERIAL (SEE NOTE 1)	COLOR (SEE NOTE 1)
15-04-0211	42232-BA	B	A

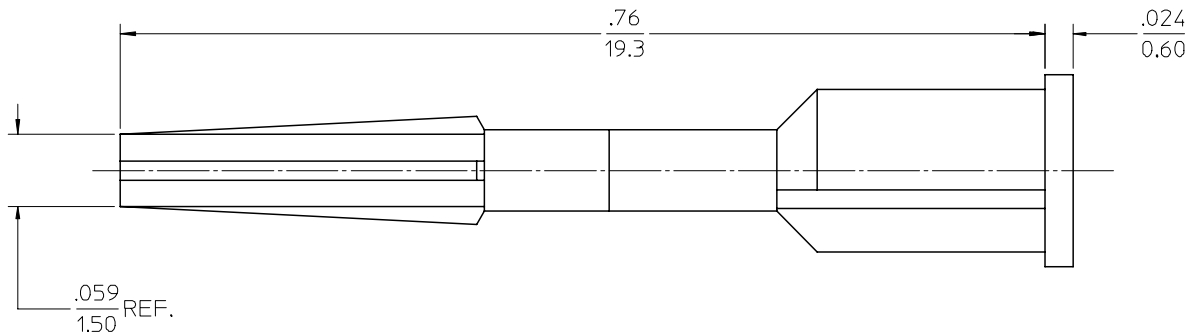
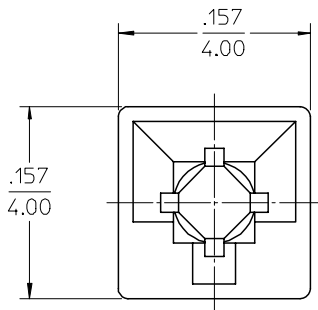
LEGEND

42232-\*\*

BASE NO. \_\_\_\_\_  
 MATERIAL \_\_\_\_\_  
 COLOR \_\_\_\_\_



ISO VIEW  
SCALE 5:1



- NOTES:
1. MATERIAL: "B"=NYLON 6/6, UL 94V-0; COLOR: "A"=NATURAL
  2. FINISH: NONE
  3. PRODUCT SPECIFICATION: NONE
  4. PACKAGING: BULK PACKAGED
  5. THIS PART FOR USE WITH MOLEX RECEPTACLE NO. 5557, 30067 AND 42474.
  6. KEY TO BE INSERTED FROM WIRE ENTRY SIDE OF RECEPTACLE HOUSING.
  7. PART CONFORMS TO CLASS "B" REQUIREMENTS OF COSMETIC SPECIFICATION PS-45499-002.

ADD PACKAGING EC NO: UCP2007-1267 (DRW)LSCHM1DT 2006/11/20 (CHKD):JBELL 2006/11/20 (APPR):FSM1TH 2006/11/20	QUALITY SYMBOLS ▽=0 ▽=0	GENERAL TOLERANCES (UNLESS SPECIFIED)		DIMENSION STYLE IN/MM		SCALE 10:1	DESIGN UNITS METRIC	THIRD ANGLE PROJECTION	
			mm	INCH	DRAWN BY GEP	DATE 1992/03/31	TITLE POLARIZING KEY FOR MINI-FIT JR. SERIES RECEPTACLE		
		4 PLACES	± ---	± ---	CHECKED BY RJF	DATE 1992/03/31	MOLEX INCORPORATED		
		3 PLACES	± ---	± .010	APPROVED BY RAS	DATE 1992/03/31	DOCUMENT NO. SD-42232-**		
2 PLACES	± 0.25	± .015	MATERIAL NO. SEE CHART		SHEET NO. 1 OF 1		THIS DRAWING CONTAINS INFORMATION THAT IS PROPRIETARY TO MOLEX INCORPORATED AND SHOULD NOT BE USED WITHOUT WRITTEN PERMISSION		
1 PLACE	± 0.38	± ---	DRAFT WHERE APPLICABLE MUST REMAIN WITHIN DIMENSIONS						
		ANGULAR ±1/2°							